

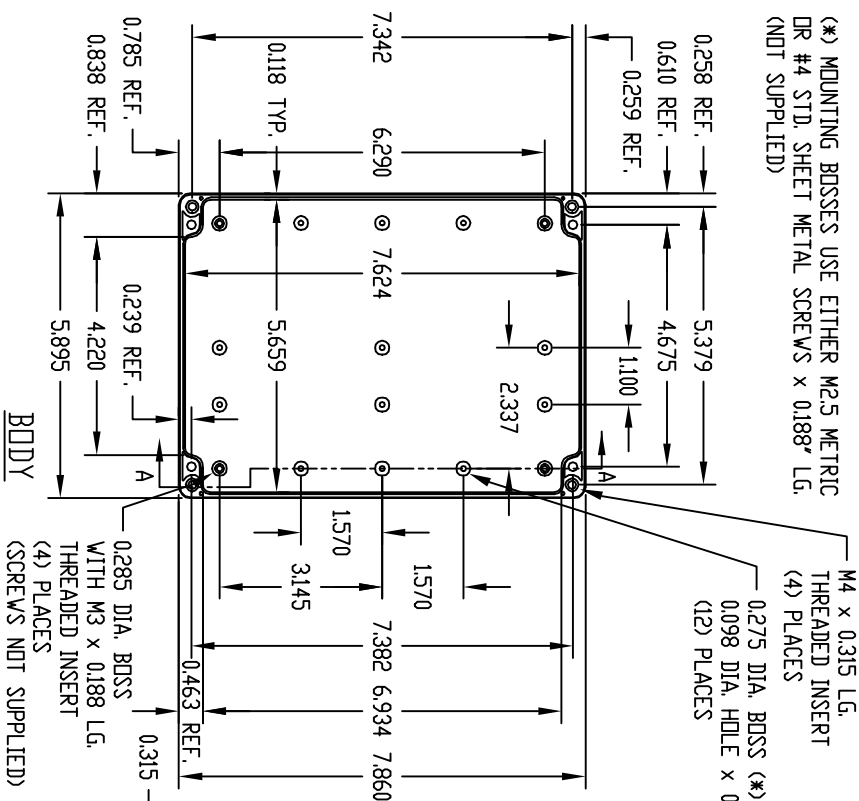
|           |                   |          |   |
|-----------|-------------------|----------|---|
| PART NAME | NEMA 4X ENCLOSURE | PART No. | PNR-2607, PNR-2608, PNR-2607-C AND PNR-2608-C AND PNR-2607-DG AND PNR-2608-DG |
|-----------|-------------------|----------|---|

**INDUSTRY STANDARDS:**

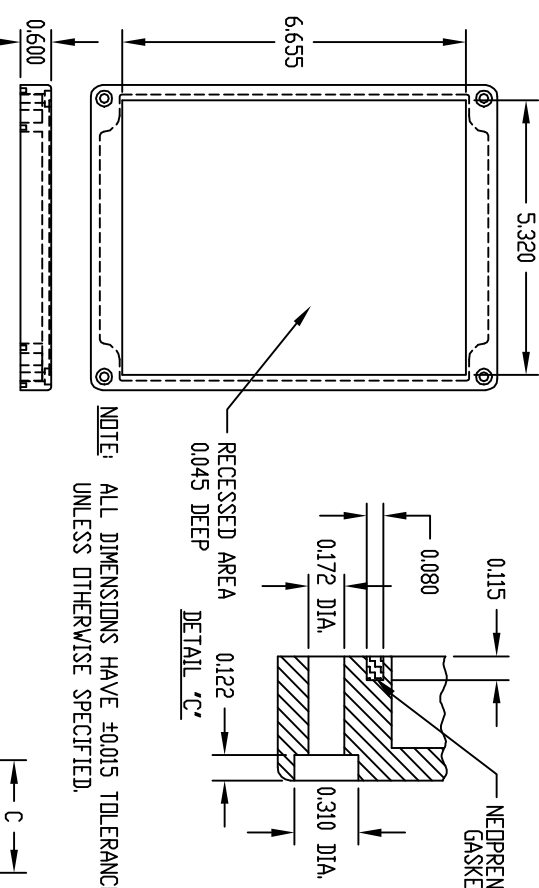
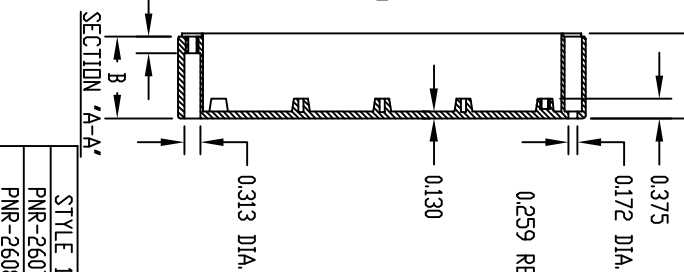
POLYCARBONATE (LIGHT GRAY AND CLEAR)  
 UL 94V-2 FLAMMABILITY RATING  
 (UL FILE #E41613)  
 UV STABILIZED  
 SERVICE TEMPERATURE RANGE:  
 -40°C TO +120°C  
 ABS (DARK GRAY)  
 UL 94-HB FLAMMABILITY RATING  
 (UL FILE #E56070)  
 SERVICE TEMPERATURE RANGE:  
 -40°C TO +80°C

STYLE 1: LIGHT GRAY POLYCARBONATE BODY AND COVER.  
 STYLE 2: LIGHT GRAY POLYCARBONATED BODY AND CLEAR POLYCARBONATE COVER.  
 STYLE 3: DARK GRAY ABS BODY AND COVER.  
 ALL STYLES CONTAIN HARDWARE KIT WITH (4) M4 x 0.668" LG. SCREWS FOR ASSEMBLY.

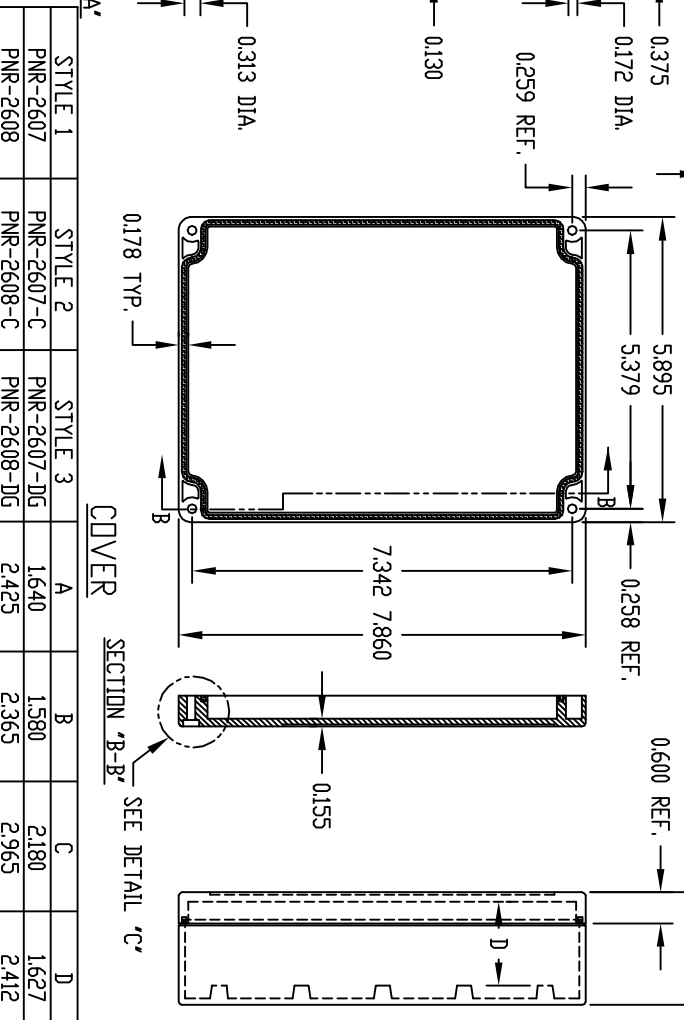
(\* ) MOUNTING BOSSES USE EITHER M2.5 METRIC OR #4 STD. SHEET METAL SCREWS x 0.188" LG. (NOT SUPPLIED)



M4 x 0.315 LG. THREADED INSERT (4) PLACES  
 0.275 DIA. BOSS (\*) WITH 0.098 DIA. HOLE x 0.250 DEEP (12) PLACES



NOTE: ALL DIMENSIONS HAVE ±0.015 TOLERANCE UNLESS OTHERWISE SPECIFIED.



| STYLE 1  | STYLE 2    | STYLE 3     | A     | B     | C     | D     |
|----------|------------|-------------|-------|-------|-------|-------|
| PNR-2607 | PNR-2607-C | PNR-2607-DG | 1.640 | 1.580 | 2.180 | 1.627 |
| PNR-2608 | PNR-2608-C | PNR-2608-DG | 2.425 | 2.365 | 2.965 | 2.412 |